

Code No: 151AD

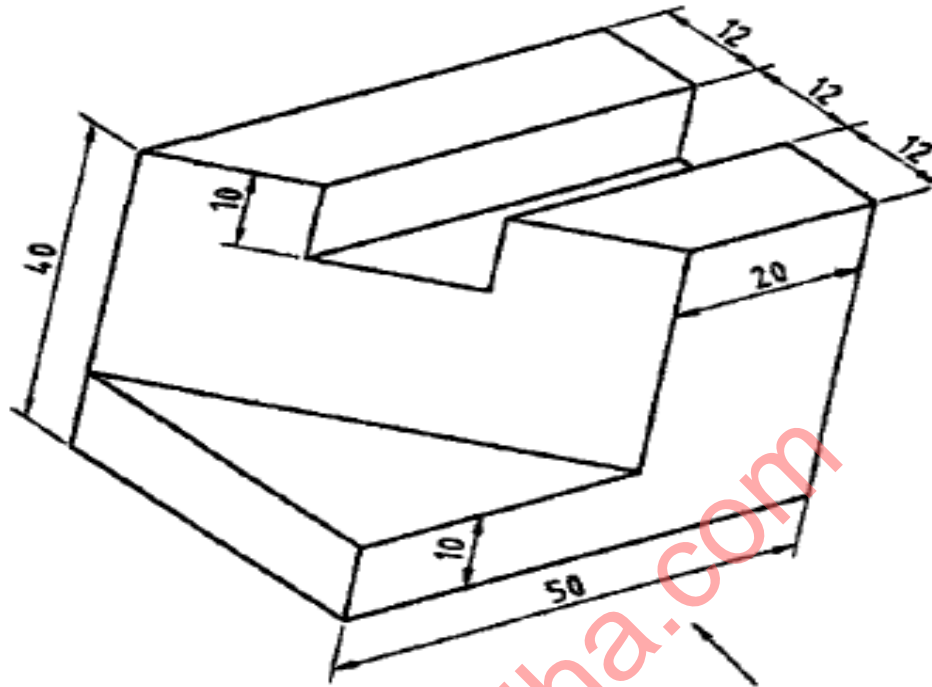
JAWAHARLAL NEHRU TECHNOLOGICAL UNIVERSITY HYDERABAD**B.Tech I Year I Semester Examinations, October/November - 2020****ENGINEERING GRAPHICS****(Common to CE, ME, EIE, MCT, MMT, AE, MIE, PTM)****Time: 2 hours****Max. Marks: 75**

Answer any three questions
All questions carry equal marks

- - -

- 1.a) Construct a diagonal scale of $RF = (1/50)$, to read meters, decimeters and centimeters. Mark a distance of 4.35 km on it.
- b) Draw an ellipse whose major and minor diameters are 150 mm and 100 mm respectively. [10+15]
- 2.a) Draw a diagonal scale of 1:2.5 showing centimeters and millimeters and long enough to measure up to 20 centimeters. Show a distance of 13.4 cm on it.
- b) Construct a parabola whose focus is at a distance of 40 mm from the directrix. Draw a tangent and normal to the parabola at a point 50 mm away from the principal axis. [10+15]
3. A line PQ 65 mm long has its end P, 15 mm above the HP and 15 mm in front of the VP. It is inclined at 55° to the HP and 35° to the VP. Draw its projections, and find its true length. [25]
4. A regular hexagon of side 20 mm has one of its sides inclined at 30° to VP. Its surface makes an angle of 60° with the ground. Draw its projections. [25]
5. Draw the projections of a square pyramid of base edges 30 mm and axis 54 mm, resting on its base on FIP with one base edge parallel to VP and axis perpendicular to the HP. [25]

6. Draw the front view, top view and left side view of the object shown in figure. All dimensions are in mm. [25]



downloaded from
StudentSuvidha.com

---ooOoo---